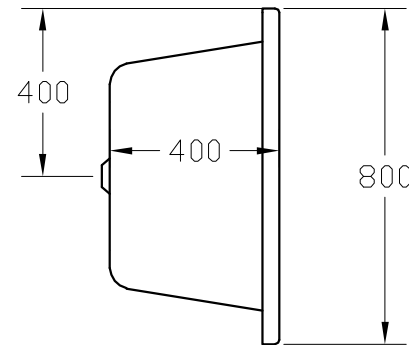
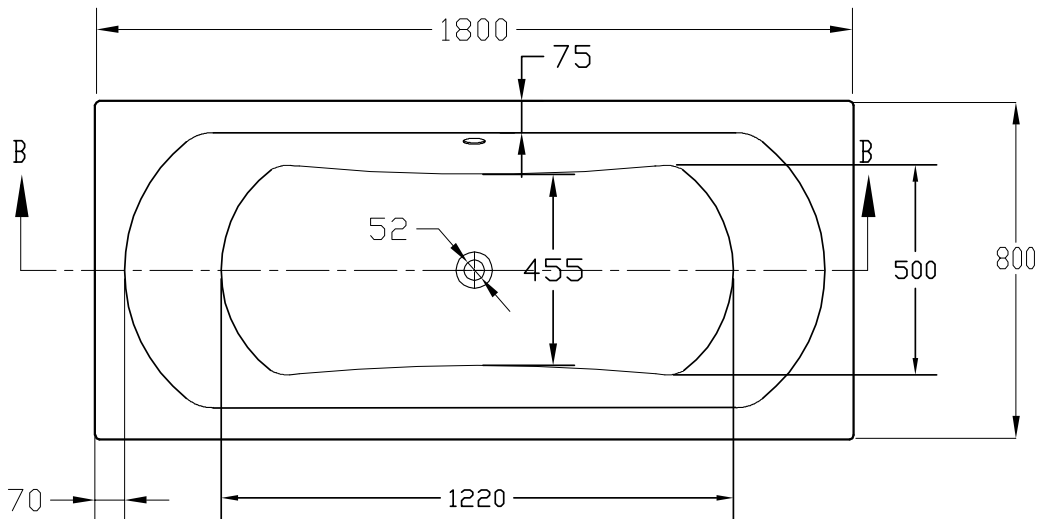


Carne 1800 x 800mm Double Ended Bath
 Size: L 1800 x W 800 x H 400mm
 Can Be Drilled For Tap Holes



The information contained on this page was correct at date of issue. Fitting dimensions are provided as a guide only. Some variation may occur due to manufacturing tolerances. We pursue a policy of continuing improvement in design and performance of our products and so reserve the right to change specifications without prior notice.