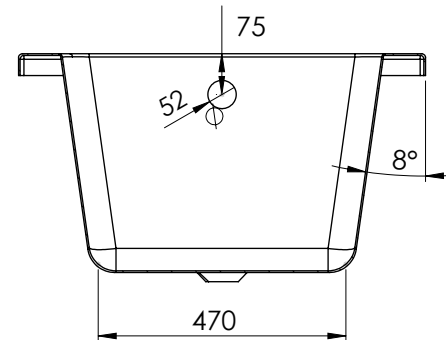
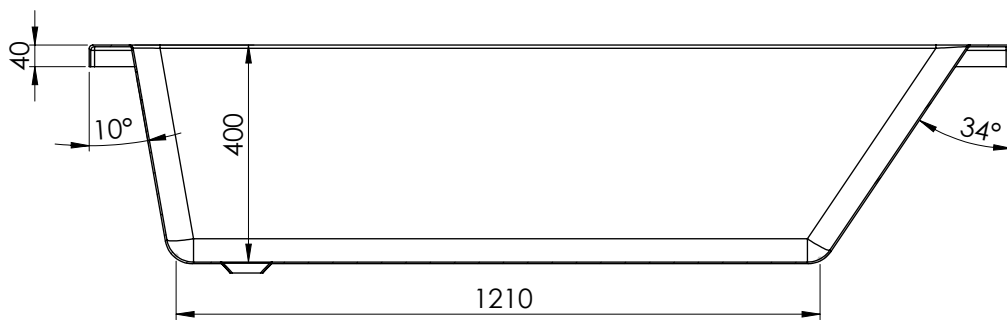
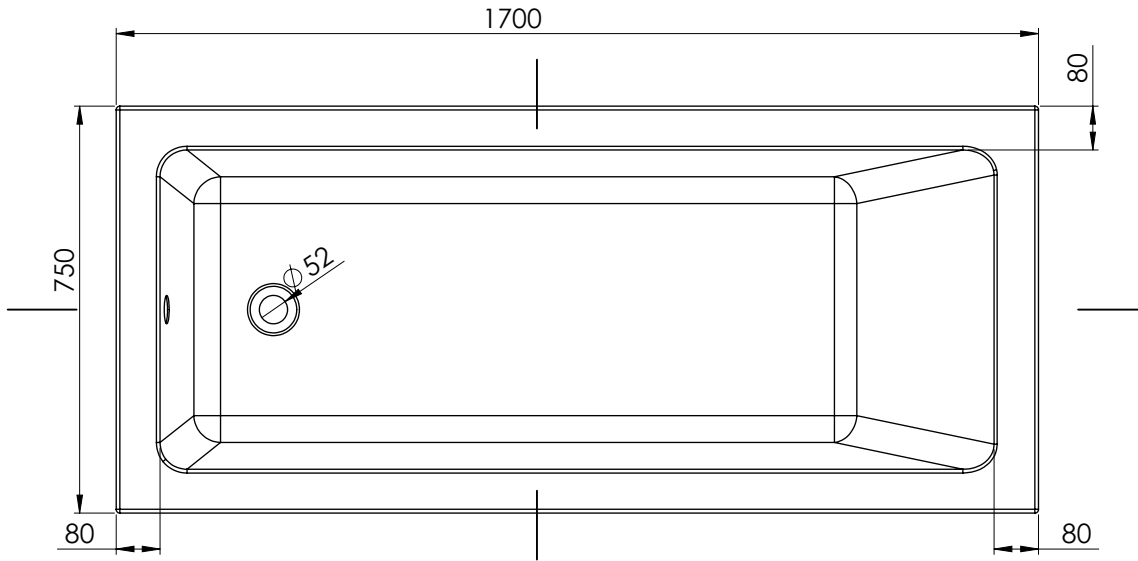


Esker 1700 x 750mm Single Ended Bath
Size: L 1700 x W 750 x H 400mm
Can Be Drilled For Tap Holes



The information contained on this page was correct at date of issue. Fitting dimensions are provided as a guide only. Some variation may occur due to manufacturing tolerances. We pursue a policy of continuing improvement in design and performance of our products and so reserve the right to change specifications without prior notice.