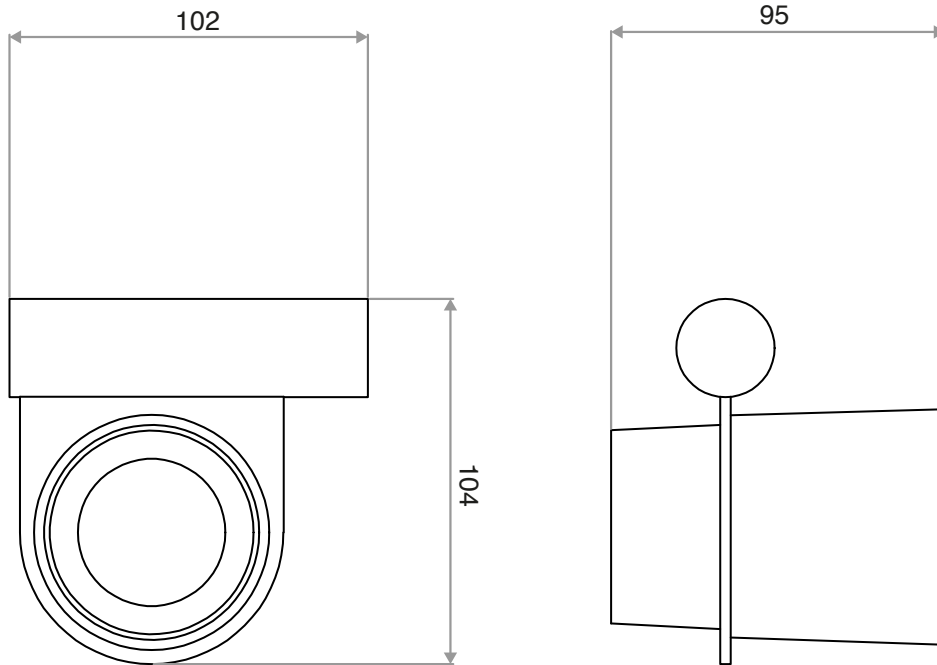


Construction
Finishes
Product Type
Guarantee

Brass & Glass
Chrome plated
Contemporary
12 years against manufacturing faults (2 Years on serviceable parts).



The information contained on this page was correct at date of issue. Fitting dimensions are provided as a guide only. Some variation may occur due to manufacturing tolerances. We pursue a policy of continuing improvement in design and performance of our products and so reserve the right to change specifications without prior notice.